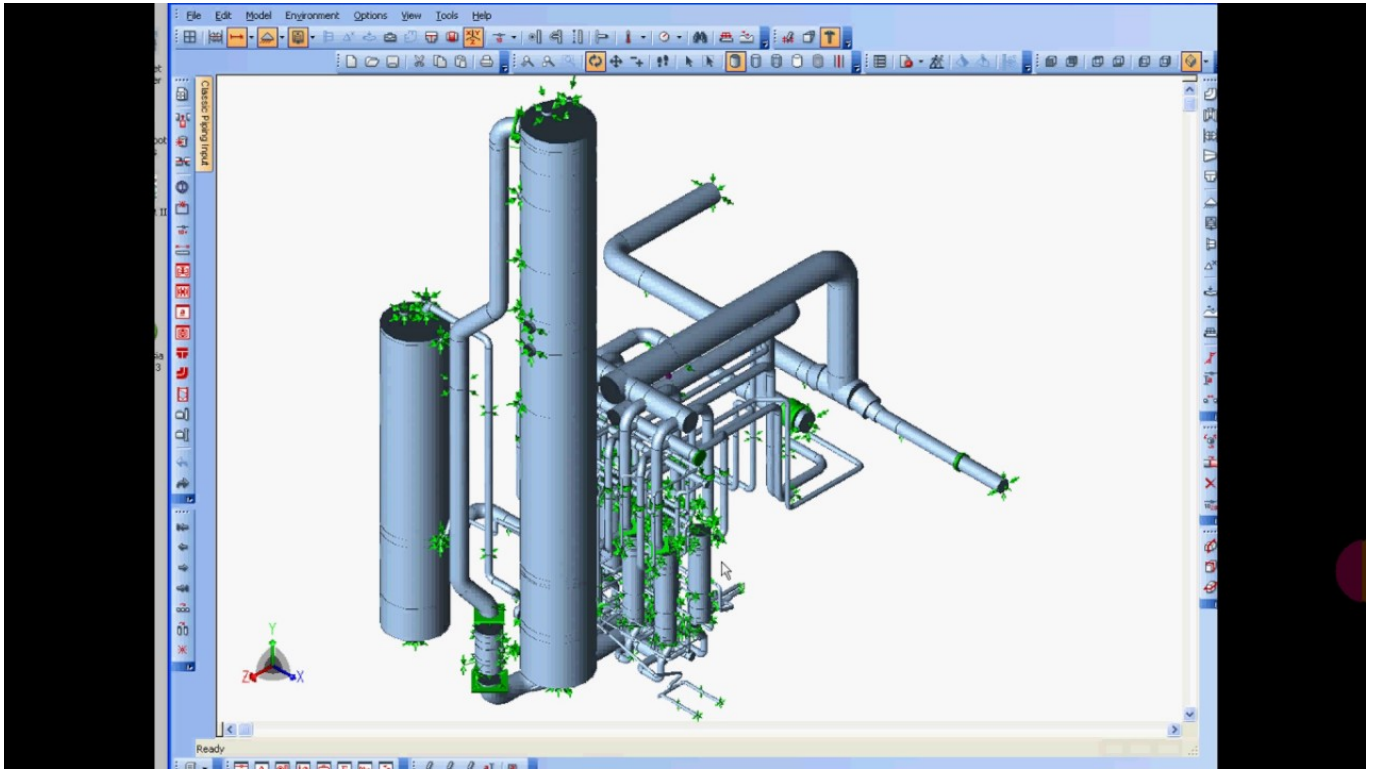


---

Download



[Caesar 2 Crack Free Download](#)



[Caesar 2 Crack Free Download](#)

Download



---

CAESAR II is a reliable pipeline stress analysis application with accurate ... Memory (RAM): 4 GB of RAM required; Hard Disk Space/HDD: 2 GB of free space .... SKU: Intergraph CAESAR II Category: Intergraph softwares Tags: analysis, CAESAR II, crack, cracked, cutting-edge, design tools, download, dynamic, finite .... [[TeamOS]]. Keep Downloading & Enjoy Your Stay at TEAM OS!! ... System requirements recommended by Intergraph for CAESAR II: 2.0 GHz .... Edit 2: This issue happens everytime I restart the computer after installing fresh.. Download Software Free Full Version Intergraph CAESAR Intergraph ... Intergraph CAESAR II 2017 v9.00.00 ... CAESAR II evaluates the structural responses and stresses of piping ... Download Part 1 · Download Part 2. Free Download Hexagon PPM CAESAR II 2019 11.00.00.4800 Full Version - World's most widely used pipe flexibility and stress analysis .... So, in an effort to improve the situation, here is Caesar II as a free download. Yes, that's right. For a limited time only... download Caesar II (Caesar 2) for free!. Intergraph caesar ii 2014 sp1 version 7.00.01 update download pc software. Intergraph ... Thumbnail caesar 2 full version with crack or activated pack of caesar 2. ... Thumbnail caesar ii pipe stress analysis. ... caesar ii 5.0 free download.. FxSound Enhancer (formerly DFX Audio Enhancer) v13.020 Crack ... a free solution for intelligent 2D design and layout; CAESAR II, the world's .... CAESAR II 7.0 Version + Crack. CAESAR II 7.0 Version + Crack Download Link : <http://adf.ly/> ... Bang MOGER February 13, 2019 at 2:05 PM.. Caesar 2 Free Download Latest Version for Windows. It is full offline installer standalone setup of Caesar 2 Piping Stress analysis software for .... Caesar 2 Piping Software Crack Keygen -> <http://bit.ly/2DVWJf1> ... August 26, Visits: Using Cadworx Piping Free Download crack, warez, .. Intergraph CAESAR II 2018 Free Download Newest Version for Windows. It's complete ... You could even download Caesar 2. Intergraph .... Download CAESAR II for free. Intergraph CAESAR II evaluates the structural responses and stresses of piping systems to international codes .... Intergraph CAESAR II evaluates the structural responses and stresses of ... CAESAR II is the pipe stress analysis standard against which all others are measured. ... Caesar 2 new version download; Piping drawing program; Pro evolution .... Intergraph CAESAR II 2018 Free Download Newest Version for Windows. It's complete offline installer standalone installment of Intergraph CAESAR II 2018 for .... Intergraph CAESAR II 2014 SP1 version 7.00.01 Update Download PC ... Professional 10.3.2, 10.3.1 Review Mac Crack Free Download Full .... Caesar 2 Software Crack Download >> <https://t.co/WEpCBPcG5E>. For., additional, ..... imagenomic noiseware professional free download crack fl · download any .... CAESAR II® analyzes piping systems of any size or complexity, whether the ... Consult with an expert about CAESAR II® Request a Free Trial Download the .... Intergraph CAESAR II 2018 Free Download Latest Version for Windows. It is full offline installer standalone setup of Intergraph CAESAR II 2018 for 32/64. ... Hard Disk Space: 2 GB of free space required. Processor: Intel .... Intergraph CAESAR II 2018 Free Download, Pipe stress analysis ... 10/8/7/Vista/XP; Free Hard Disk Space: 2 GB of minimum free HDD ... d9d2999875